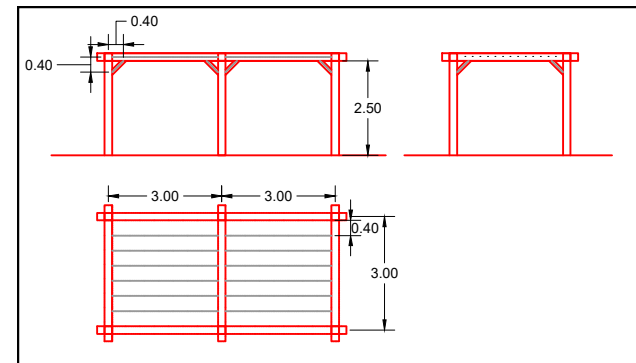




ELEMENTOS COMUNES			
A	ACCESO	F	ARCÓN DE HERRAMIENTAS
B	BANCO + MESA	G	PARTERRE DE FLORES
C	CASETA	H	HOTEL DE INSECTOS
D	DEPOSITO AGUA 500 L	I	COMPOSTEROS
E	LAVADERO	J	PLANTAS AROMÁTICAS

MESAS DE CULTIVO	
CARACTERÍSTICAS	L x A = 2 x 0,80 m. (Sup. 1,6 m ²)
Nº UNIDADES INSTALADAS	10



Planta y alzados pérgola E 1:200

RELACIÓN DE PARCELAS							
Nº	Sup. (m ²)	Nº	Sup. (m ²)	Nº	Sup. (m ²)	Nº	Sup. (m ²)
1	12.38	31	25.00	61	50.00	91	25.00
2	58.96	32	12.50	62	25.00	92	25.00
3	33.63	33	12.50	63	25.00	93	49.68
4	12.50	34	25.00	64	50.00	94	24.52
5	12.50	35	12.50	65	25.00	95	12.42
6	25.00	36	12.50	66	25.00	96	53.02
7	17.26	37	25.00	67	50.00	97	50.67
8	25.00	38	25.00	68	25.00	98	53.60
9	12.50	39	12.23	69	25.00	99	52.66
10	12.50	40	12.25	70	15.35	100	48.25
11	25.00	41	35.89	71	26.65	101	48.25
12	45.86	42	54.28	72	25.00	102	24.12
13	18.32	43	50.00	73	25.00	103	24.12
14	25.00	44	50.00	74	25.00	104	24.12
15	12.50	45	25.00	75	25.00	105	24.12
16	12.50	46	25.00	76	25.00	106	24.12
17	25.00	47	50.00	77	25.00	107	24.12
18	12.50	48	25.00	78	25.00	108	24.12
19	12.50	49	25.00	79	25.00	109	24.12
20	25.00	50	50.00	80	25.00	110	25.62
21	22.99	51	25.00	81	25.00	111	19.53
22	25.00	52	25.00	82	25.00	112	24.33
23	12.50	53	32.03	83	25.00	113	46.04
24	12.50	54	50.00	84	50.00	114	46.50
25	25.00	55	25.00	85	25.00	115	51.43
26	12.50	56	25.00	86	25.00	116	24.13
27	12.50	57	25.00	87	50.00	117	24.12
28	25.00	58	25.00	88	25.00		
29	55.71	59	25.00	89	25.00		
30	30.11	60	25.00	90	50.00		

SUPERFICIE TOT. AREA HUERTOS URBANOS	5,250,07 m ²
--------------------------------------	-------------------------